

DU / DY RANGE OF MOULDED CASE CIRCUIT BREAKERS

A Journey of Continuous Upgradation



ABOUT US

Lauritz Knudsen Electrical & Automation, formerly known as L&T Switchgear, is a leading player in the electrical industry owing to its 70+ years of strong legacy and commitment to the nation's growth. The brand is dedicated to providing a wide range of electrical and automation products and solutions to vital sectors of the economy, including industries, utilities, infrastructure, buildings, and agriculture. Our extensive portfolio includes low-voltage and medium-voltage switchgear, automation solutions, tailored software, and services.

With manufacturing operations in Ahmednagar, Vadodara, and Coimbatore, we adhere to global standards of excellence. Our operations are supported by well-equipped, in-house design and development centers, as well as tooling facilities, ensuring precision in manufacturing.

We proudly operate six Switchgear Training Centers (STCs) across Pune, Lucknow, Coonoor, Vadodara, Delhi, and Kolkata. These centers offer tailor-made classroom courses and lab learning experiences for technicians, customers, engineers, professionals, and students.

With a deep national presence and one of the largest electrical distribution networks, comprising over 1500 partners across the country, we are committed to driving excellence and delivering superior products and solutions that power India's growth journey.

INDEX

OVERVIEW	1
SALIENT FEATURES	2
TECHNICAL DETAILS	3
STANDARDS & APPROVALS	4
TECHNICAL SPECIFICATIONS	6
ACCESSORIES	9
MCCB ENCLOSURE	10
GROUND FAULT MODULE	11
ADDITIONAL TECHNICAL INFORMATION	12
I-T CHARACTERISTIC CURVES	14
DIMENSIONS	15

Overview



The DU/DY Series of MCCBs represents a new generation distinguished by its cutting-edge design, modern user-friendly features, ergonomic design, aesthetic appeal, and compact size. It meets the latest standards such as IS/IEC 60947-2, IEC 60947-2, and EN 60947-2, and holds international certifications including marking and DEKRA CB certification. Designed

specifically for tropical climates, the series guarantees dependable performance in high ambient temperatures and humid conditions, catering to the most rigorous system requirements. With a comprehensive range of accessories, the DU/DY Series ensures operational safety, reliability, and versatility.

Salient Features



Technology

- › Current Limiting MCCBs: Utilizing a distinctive speed contact system incorporating current limiting capabilities, these MCCBs swiftly open contacts during short circuits, thereby minimizing let-through energy.
- › No Load Line Bias: MCCB terminals allow for interchangeability between load and line connections on either side.
- › MCCB Mechanism: Incorporates a quick make, quick break, and trip-free mechanism for efficient operation.



Ergonomic Design & User Friendliness

- › Clearly visible indication for ON/TRIP/OFF statuses.
- › Current rating displayed on mid-cover for clarity*.
- › Front-facing adjustment for overload settings*.
- › Simplified operations for easy ON/OFF/RESET functionality.



Safe to Use

- › Suitable for isolation purposes.
- › Finger-proof terminals for added safety.
- › Includes phase barriers with MCCBs to increase phase clearance.
- › Lockable shroud on thermal knob prevents unauthorized operation*.
- › Clearly marked range for ease of identification.
- › Double insulation for enhanced safety.



Accessories

- › Auxiliary Contacts.
- › Trip Alarm Contacts.
- › Combined Auxiliary and Trip Alarm Contacts*.
- › Shunt Release and Under-Voltage Release*.
- › Direct and Extended Rotary Operating Mechanisms with Padlocking.
- › Spreader Links.
- › Enclosures available in Size I and Size II.
- › GF Module for earth fault protection*.
- › All internal accessories are snap-fit type.



Compact & Easy to Install

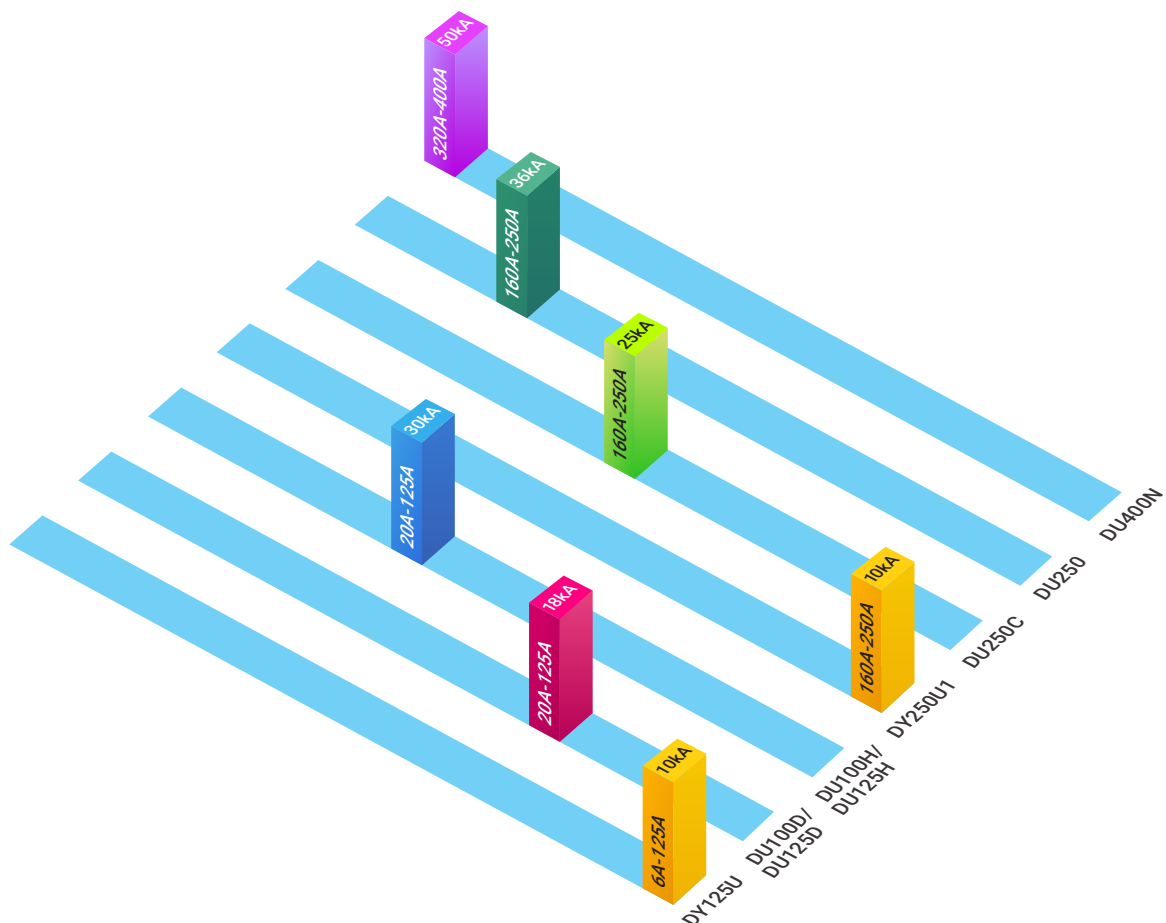
- › Compact size
- › Common depth upto 250A
- › 46mm door cutout upto 250A

* For DY125U / DY250U1 / DU100D / DU125D / DU100H / DU125H / DU250C / DU250 / DU400N

Technical Details

- › Ratings: 16A to 400A
- › Pole: 2P, 3P & 4P
- › Breaking Capacity: 10kA / 18kA/ 25kA / 30kA/ 36kA / 50kA
- › Release: Thermal - Magnetic based protection
- › High Electrical & Mechanical life
- › No Load-Line Bias
- › ON-TRIP-OFF indication
- › Suitable for Isolation
- › Reference Temperature: 40°C
- › Operational Frequency : 50 / 60 Hz
- › IP Protection (from Front Side) : IP40 (In-built) , IP54 (with ROM)
- › Internal Accessories: Auxillary Contact, Trip Alarm Contact, Shunt Release, Under Voltage Release
- › External Accessories: Rotary Operating Mechanism (Direct & Extended) and Spreaders (Both Sides)
- › Additional Accessories: Ground Fault Modules and Enclosures (up to 250A)
- › Conforms to IS/IEC 60947-2 & IEC 60947-2

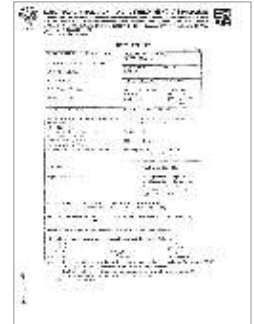
Frame-wise Rating & Breaking Capacity (I_{cu})



Standards & Approvals

DY and DU range of MCCBs and Accessories comply with following International Standards

- › **IEC 60947-1, EN 60947-1, IS/IEC 60947-1**
Low-voltage switchgear and controlgear, Part 1: General Rules
- › **IEC 60947-2, EN 60947-2, IS/IEC 60947-2**
Low-voltage switchgear and controlgear, Part 2: Circuit-breakers
- › **IEC 60947-3, EN 60947-3, IS/IEC 60947-3**
Low-voltage switchgear and controlgear, Part 3: Switches, disconnectors, switch-disconnectors and fuse combination units
- › **IEC 60947-4, EN 60947-4, IS/IEC 60947-4**
Low-voltage switchgear and controlgear, Part 4: Contactors and Motor-starters
Third party certificates (ERDA/CPRI) available for E&A's range of MCCBs



NABL

E&A's Switchgear Testing Lab holds NABL accreditation, acknowledging its technical competence in testing as per the ISO/IEC 17025:2005 Standard. Accredited labs must consistently meet accreditation criteria, verified through Surveillance and Re-assessment visits by NABL. Additionally, accredited labs demonstrate technical proficiency through participation in recognized Proficiency Testing Programmes. All MCCBs undergo testing at E&A's NABL accredited Switchgear Testing Lab, contingent upon ongoing compliance with these standards and NABL's additional requirements



CE Marking

A CE marking signifies that a product meets the essential requirements of relevant European laws or directives concerning safety, health, environment, and consumer protection. It is typically achieved through self-declaration and is mandatory for products within the European Economic Area (EEA) to facilitate intra-regional trade. The responsibility for affixing the CE marking lies with the manufacturer or their authorized representative within the EEA. This marking serves as proof that the product complies with unified regulations across EEA countries, promoting unrestricted trade among member states. E&A's MCCBs complies with the Low Voltage Directive 73/23/EEC as amended by Directive 93/68/EEC, provided they are used as intended, installed, and maintained according to industry standards and operating instructions.



IECEE CB SCHEME - DEKRA Certified

The IECEE CB Scheme is an international agreement involving multiple countries and certification bodies. Manufacturers can utilize a CB test certificate issued by a recognized National Certification Body (NCB) to obtain certification marks from other accepted NCBs in the countries where they are located. E&A's MCCBs are certified under the IECEE CB Scheme by DEKRA, a globally recognized organization with a 150-year history in testing, inspections, certification, risk management, and verification.



DY Series

DY125U




DY250U1



DY Series

Technical Specifications

Technical Parameters		Specifications	
Type Designation		DY125U	DY250U1 
No. of Poles		2/3/4	3/4
Rated Current	I, (A)	16,20,25,32,40, 50,63,80, 100,125	160, 200, 250
Impulse Withstand Voltage	U_{imp} (kV)	8	8
Rated Operational Voltage	U_e (VAC)	415	415
Rated Insulation Voltage	U_i (VAC)	800	800
Operational Frequency (Hz)		50 / 60	50 / 60
Utilisation Category		A	A
Reference Temperature		40°C	40°C
Operating Temperature		-5°C to + 55°C	-5°C to + 55°C
Standard		IS/IEC 60947-2, IEC 60947-2 & EN 60947-2	IS/IEC 60947-2, IEC 60947-2 & EN 60947-2
I_{cu} (kV)	240 V AC	25	20
	415 V AC	10	10
	250 V DC [#]	10	10
Rated Service S. C. Breaking Capacity (I_{cs})		100% of I_{cu}	100% of I_{cu}
Mechanical Life	No. of operations	30000	10000
Electrical Life	No. of operations	8000 ^s	1000 ^s
IP Protection (from front side)		IP40	IP40
Pollution Degree		III	III
Type of Release		Thermal - Magnetic	
Thermal		Fixed	Fixed
Magnetic		Fixed ($10I_n$)*	Fixed ($9I_n$)
Thermal Capacity (without Spreads)			
Cables with Lug (mm ²)		50	120
Link (mm)		≤17	≤ 26
Overall Dimensions			
Width (3/4 Pole) (mm)		75/100	105/140
Height (mm)		130	165
Depth (mm)		60	60
Weight (2/3/4 Pole) (kg)		0.60 / 0.67 / 0.92	1.4 / 1.8

Note: 2 Pole in 3 Pole frame size for DY125U

§ 5000 for 125 A

* 320A for 16A, 20A, 25A

Any 2 poles can be used. One for "+" polarity & other for "-" polarity. Connection Type - 3 Pole in series.

DU Series

DU100D/DU125D



DU100H/DU125H



DU250C / DU250



DU400N



DU Series

Technical Specifications

Technical Parameters		Specifications				
Type Designation		DU100D/DU125D	DU100H/DU125H	DU250C	DU250	DU400N
No. of Poles		3/4	2/3/4	3/4	2/3/4	2/3/4
Rated Current	I _r (A)	20, 25, 32, 40, 50, 63, 80, 100, 125	20, 25, 32, 40, 50, 63, 80, 100, 125	160, 200, 250		320, 400
Impulse Withstand Voltage	U _{imp} (kV)	8				8
Rated Operational Voltage	U _e (V AC)	415				690
Rated Insulation Voltage	U _i (V AC)	800				800
Operational Frequency (Hz)		50 / 60				
Utilisation Category		A				
Reference Temperature		40°C				
Operating Temperature		-5°C to + 55°C				
Standard		IS/IEC 60947-2, IEC 60947-2 & EN 60947-2				
I _{cu} (kA)	240 V AC	32	65	65	65	65
	415 V AC	18	30	25	36	50
	250 V DC (2P in series) L/R<15 msec	-	15	-	15	25
	250 V DC (3P in series) L/R<15 msec	15	20	15	20	30
	500 V DC (3P in series) L/R<15 msec	10	15**	10	15**	20***
Rated Service S. C. Breaking Capacity (I _{cs})		100% of I _{cu}	50% of I _{cu}			
Single Stage Capacitor Rating at 415V, 50Hz (kVAr)		upto 50 kVAr* (for 100A) & 65 kVAr* (for 125A)		upto 95 kVAr*		upto 150 kVAr*
Mechanical Life	No. of operations	40000		15000		10000
Electrical Life	No. of operations	8000 [§]		5000 [§]		4000
IP Protection (from front side)		IP40				
Pollution Degree		III				
Type of Release		Thermal - Magnetic				
Thermal		Variable (0.8 - 1.0 I _n)				
Magnetic		Fixed (9 I _n)				
Terminal Capacity (without spreaders)						
Cables with Lug (mm ²)		35		120		185
Link (mm)		≤17		≤26		≤32
Overall Dimensions						
Width (mm)		75/100	75/75/100	105/140		140/184
Height (mm)		130		165		205
Depth (mm)		60		60		110.5
Weight (2/3/4 Pole) (kg)		0.85/1.1	0.6/0.85/1.1	1.55/2	1.3/1.55/2	4/5

* Please use Capacitor Duty Contactors with MCCB for Capacitor Applications. Capacitor ratings mentioned are with MO C only.

** 10 kA at 500V d.c. (2P in series) L/R<15 msec

*** 15kA at 500V d.c. (2P in series) L/R<15 msec

§ 4000 for DU125D/DU125H, 3000 for 250A DU250/DU250C

Note: 2 Pole in 3 Pole frame size for DU100H/ DU125H/DU250/DU400N

Accessories

- 1 **Auxiliary Contact** - Contacts that enable the transmission of circuit-breaker operating status information (ON/OFF externally).
- 2 **Trip Alarm Contact** - Contacts that indicate when the circuit-breaker has tripped or operated due to a fault or abnormal condition in the electrical system.
- 3 **Auxiliary + Trip Alarm Contact** - auxiliary trip alarm contact serves to extend the functionality of the basic trip alarm contact, offering more flexibility in how trip events are monitored, recorded, and responded to in electrical distribution and protection systems.
- 4 **Shunt Release** - It allows opening of MCCB by means of an electrical command.
- 5 **Undervoltage Release** - The Under-voltage release causes the MCCB to trip if the operational voltage falls to a value between 35% and 70% of its rated voltage or not applied.
- 6 **Phase Barriers** - Phase barriers are physical barriers or partitions installed with circuit-breakers, to separate and insulate different phases of electrical conductors from each other.
- 7 **Spreader Terminals** - spreaders are components used to spread or separate conductors within electrical equipment such as switchgear or distribution panels. They play a crucial role in enhancing the safety, efficiency, and reliability of electrical systems by ensuring proper conductor spacing and minimizing risks associated with electrical faults and failures.
- 8 **Direct Rotary Handle** - A Direct Rotary Handle, refers to a mechanical device used for manually operating the switch or circuit-breaker. It is directly connected to the operating mechanism of the switch or circuit-breaker.
- 9 **Extended Rotary Handle** - Extended Rotary Handle refers to a type of handle that extends the length of the standard rotary handle used for manual operation. They allow maintenance personnel or operators to safely and conveniently operate circuit-breakers or switches without needing to directly access the panel or enclosure.
- 10 **External Neutral CT with Adaptor Kit** - Used to provide neutral & earth fault protection to 3P MCCBs in 3 phase 4 wire system
- 11 **Enclosures** - Please refer page no. 8 for technical details
- 12 **Ground Fault Modules** - Please refer page no. 9 for technical details



* For Enclosure please refer page no. 10

** For Ground Fault Modules please refer page no. 11

MCCB Enclosures

Enclosures refer to protective housings or casings designed specifically for MCCBs (Molded Case Circuit Breakers). Enclosures are designed to house MCCBs safely and securely.

Size I enclosure: This enclosure is designed to accommodate MCCB models such as DU100D, DU125D, DU100H, DU125H, and DY125U. It provides ample space inside for connecting cables to the MCCBs. Size I enclosures are typically smaller and more compact compared to Size II.

Size II enclosure: This enclosure is suitable for MCCB models DU250, DU250C and DY250U1. It offers more internal space compared to Size I enclosures, which can be beneficial when larger MCCBs or additional wiring connections are required.

Both Size I and Size II enclosures are standalone units, meaning they can be used independently without needing to be mounted within a larger electrical panel. They are designed not only for practicality in housing MCCBs but also to enhance the overall aesthetic appearance of the installation. This ensures that while providing functionality and protection, they also contribute to the visual appeal of the electrical setup.

- › Universal enclosure for 3P/4P MCCBs.
- › Provides IP30 and IK08 protection.
- › Includes built-in neutral link for TPN systems.
- › Features mounting holes on the back plate.
- › Equipped with louvers for enhanced heat dissipation.
- › Effortless Installation
- › RoHS compliant.
- › Complies with IEC 62208, IEC 62262, and IEC 60529 standards.



Size I Enclosure

Size II Enclosure



Easy Wall Mounting



In-Built Neutral Link



Better Heat Dissipation

Enclosure	Compatible MCCBs	Height (mm)	Width (mm)	Depth (mm)
Size I	DU100H/DU125H/DU100D/DU125D/DY125U	543	198	97
Size II	DU250/DU250C/DY250U1	830	337	111

Ground Fault Modules

Ground Fault Modules are of Types GF1, GF2 and GF11. These modules are to be used with MCCBs for ground fault protection. The principle of operation is based on detection of the residual current in the system. They combine safety and versatility, conforming to the high performance standards, the characteristic of all E&A products.



Ground Fault Module GF1
GF1 is suitable upto 200A MCCBs



Ground Fault Module GF2
GF2 is suitable upto 200A to 400A MCCBs



Ground Fault Module GF11
GF11 is suitable upto 800A MCCBs

Features

- › Compact in size
- › Solid state design
- › Built-in moulded CBCT for GF1 & GF2. External CTs are to be used for GF11
- › Suitable for both 3 Phase 3 wire & 3 Phase 4 wire systems. In case of 3 phase 4 wire system, the natural cable/twisted link should also be passed through the CBCT along with the 3 Phase links / cables
- › Built-in test facility
- › Selection facility for nominal current rating (Un)
- › Earth fault setting is adjustable from 10% to 50% of set current
- › Selectable trip times (100ms, 200ms)
- › Manual reset for positive fault acknowledgment
- › Potential free NO contact to trip MCCB (through 240V shunt release)
- › Window dimensions suitable for Cable/ Link connection in GF1 and GF2

Note: MCCBs need to be fitted with 110V / 240V as shunt release for Ground Fault Module operation.

Technical Data

Specification	Type GF1/GF2/GF11
Current Setting Range, I_s ($I_s = x_n /$)	10% to 50% In in step of 10%
Auxiliary Supply	240V AC $\pm 20\%$
Time Delay (ms)	100/200ms Field selectable
Pick-up Accuracy	$\pm 10\% I_s$
Output Contact	1 NO contact manual reset type contact rating 5A 240V AC
Indication	a) Power on LED b) Trip LED (manual reset)
Operating Temperature	+10°C to +55°C
Insulation	2kV 50Hz for one minute across independent circuit 1kV 50Hz for one minute across open contacts
Mounting	Baseplate mounting type
Window for Cable / Busbar Entry (mm ²)	GF1-110 x 32 GF2-165 x 61.5
Weight (Kg)	GF1-1.2, GF2 - 2.2, GF11 - 0.9

Note: Please check GF module window size & MCCB busbar width with spreaders/ without spreaders before selection of GF Module. Please contact nearest branch office for further information.

Additional Technical Information

Altitude Derating Chart

Altitude is a significant factor influencing the current-carrying capacity of circuit breakers. For DU/DY range MCCBs, altitudes up to 2000m generally have minimal impact. However, beyond

2000m, the altitude can affect the characteristics of MCCBs, as outlined in the table below.

DU/DY	Description		De-rating Factor			
			<2000 m	3000 m	4000 m	5000 m
	Rated Operational Voltage	U_e	1.00	0.90	0.80	0.70
	Rated Nominal Current	I_n	1.00	0.97	0.94	0.91
	Insulation Voltage	U_i	1.00	0.78	0.69	0.61
	Impulse Withstand Voltage	U_{imp}	1.00	0.78	0.69	0.61

Note: Breaking capacities would not change. Please refer Technical Specifications.

Power Loss Data

The power loss of an electrical device is essential for determining the overall system efficiency, measured in watts. According to Annex G of IEC-60947-2, the total power loss of a circuit breaker is calculated by multiplying the power loss per pole by the number of poles. This measurement, conducted

under rated current in free air and with minimal voltage drop across the terminals under cold conditions, provides an indication of the heat generated in specific operational scenarios.

Frame	Rating (A)	Power loss per pole (W)
DY125U	16	2.1
	20	3.3
	25	5.2
	32	4.0
	40	6.4
	50	4.0
	63	6.5
	80	7.2
	100	10.5
	125	16.4
DY250U1	160	15.4
	200	20.0
	250	18.8

Frame	Rating (A)	Power loss per pole (W)
DU100D/H DU125D/H	20	2.2
	25	4.0
	32	5.3
	40	7.0
	50	5.5
	63	5.5
	80	6.9
	100	9.0
	125	12.0
	DU250 DU250C	160
200		20.0
250		18.8
DU400N	320	25.0
	400	25.6

Temperature Derating Chart

Temperature derating of MCCBs (Molded Case Circuit Breakers) refers to the practice of adjusting the current-carrying capacity of the circuit breaker based on the ambient temperature in which it operates. MCCBs are designed to carry their rated current at a specified ambient temperature (often 40°C), but as the ambient temperature increases, the heat dissipation

capability of the MCCB may decrease. Temperature derating is crucial for maintaining the safety and reliability of MCCBs in diverse environmental conditions. Failure to derate properly can lead to overheating, premature aging of components, and potentially hazardous conditions.

Frame	Rating (A)	Temperature (°C)											
		10	15	20	25	30	35	40	45	50	55	60	65
DY125U	16	19.0	18.5	18.0	17.5	17.0	16.5	16.0	15.5	15.0	14.5	14.0	13.5
	20	23.7	23.1	22.5	21.9	21.2	20.6	20.0	19.4	18.8	18.1	17.5	16.9
	25	29.7	28.9	28.1	27.3	26.6	25.8	25.0	24.2	23.5	22.7	21.9	21.1
	32	38.0	37.0	36.0	35.0	34.0	33.0	32.0	31.0	30.0	29.0	28.0	27.0
	40	47.4	46.2	45.0	43.7	42.5	41.2	40.0	38.8	37.5	36.3	35.0	33.8
	50	59.3	57.8	56.2	54.7	53.1	51.6	50.0	48.5	46.9	45.4	43.8	42.3
	63	74.7	72.8	70.8	68.9	66.9	65.0	63.0	61.0	59.1	57.1	55.2	53.2
	80	94.9	94.4	89.9	87.4	85.0	82.5	80.0	77.5	75.0	72.6	70.1	67.6
	100	118.6	115.5	112.4	109.3	106.2	103.1	100.0	96.9	93.8	90.7	87.6	84.5
	125	146.0	142.5	139.0	135.5	132.0	128.5	125.0	121.5	118.0	114.5	111.0	107.5

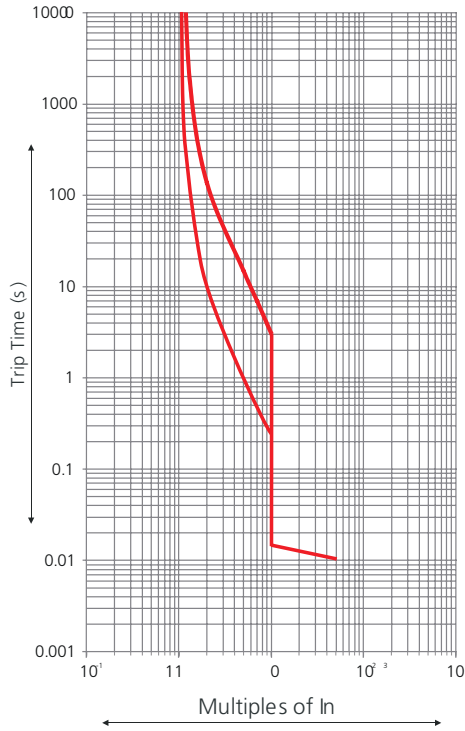
Frame	Rating (A)	Temperature (°C)												
		10	15	20	25	30	35	40	45	50	55	60	65	70
DU100D/H DU125D/H	20	23	22.5	22	21.5	21	20.5	20	19.5	19	18.5	18	17.5	17
	25	28.6	28	27.4	26.8	26.2	25.6	25	24.4	23.8	23.2	22.6	22	21.4
	32	35.9	35.3	34.6	33.9	33.3	32.7	32	31.4	30.7	30.1	29.4	28.8	28.1
	40	43.9	43.3	42.6	41.9	41.3	40.7	40	39.4	38.7	38.1	37.4	36.8	36.1
	50	55.1	54.3	53.4	52.6	51.7	50.9	50	49.2	48.3	47.4	46.6	45.8	44.9
	63	69.3	68.3	67.2	66.2	65.1	64.1	63	61.9	60.9	59.9	58.8	57.8	56.7
	80	88.7	87.3	85.8	84.4	82.5	81.5	80	78.6	77.1	75.7	74.2	72.8	71.3
	100	112	110	108	106	102	102	100	98	96	94	92	90	88
	125	137	135	133	131	129	127	125	127	129	131	133	135	137

Frame	Rating (A)	Temperature (°C)												
		10	15	20	25	30	35	40	45	50	55	60	65	70
DY250U1 DU250 DU250C	160	188.4	184.2	179.9	175.6	170.6	165.6	160	154.4	147.1	140.7	134.2	127.8	121.4
	200	235.6	230.3	224.9	219.6	213.2	206.9	200	193.1	183.8	175.6	167.5	159.4	151.3
	250	294.4	287.8	281.1	274.4	266.6	258.6	250	241.4	229.8	220	210	200	190

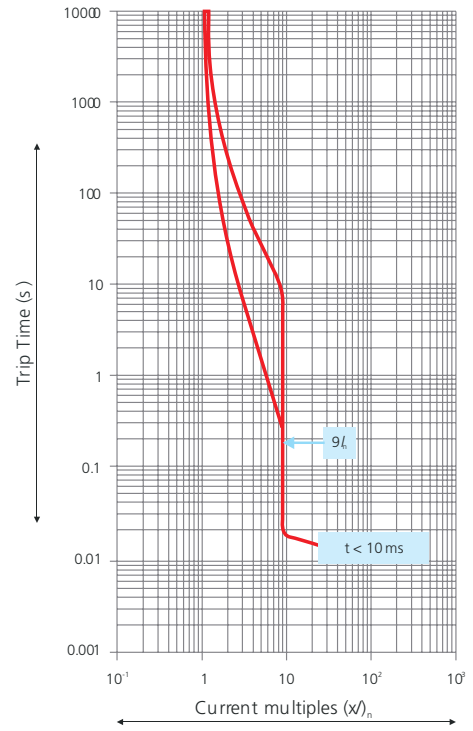
Frame	Rating (A)	Temperature (°C)												
		10	15	20	25	30	35	40	45	50	55	60	65	70
DU400	320	350	345	340	335	330	325	320	315	310	305	300	295	290
	400	430	425	420	415	410	405	400	395	390	385	380	375	370

I-T Characteristic Curves

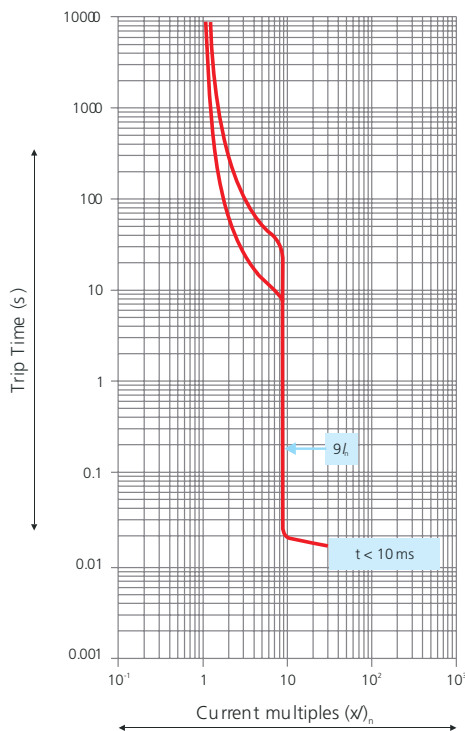
DY125U



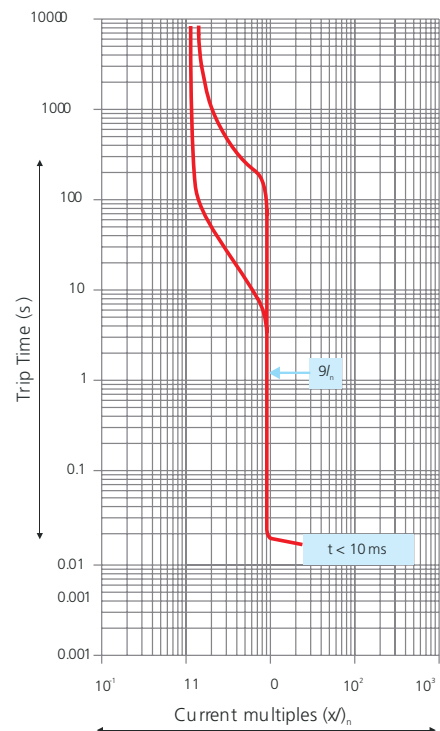
DU100D / DU125D / DU100H / DU125H



DY250U1 / DU250C / DU250



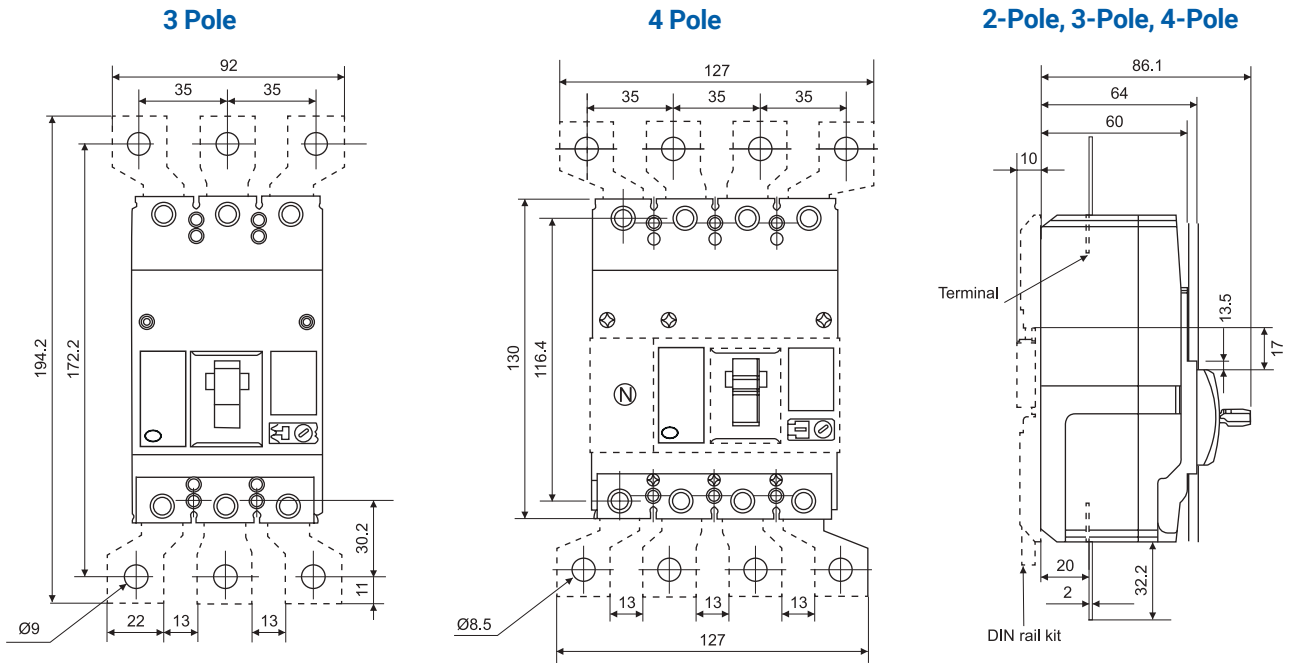
DU400N



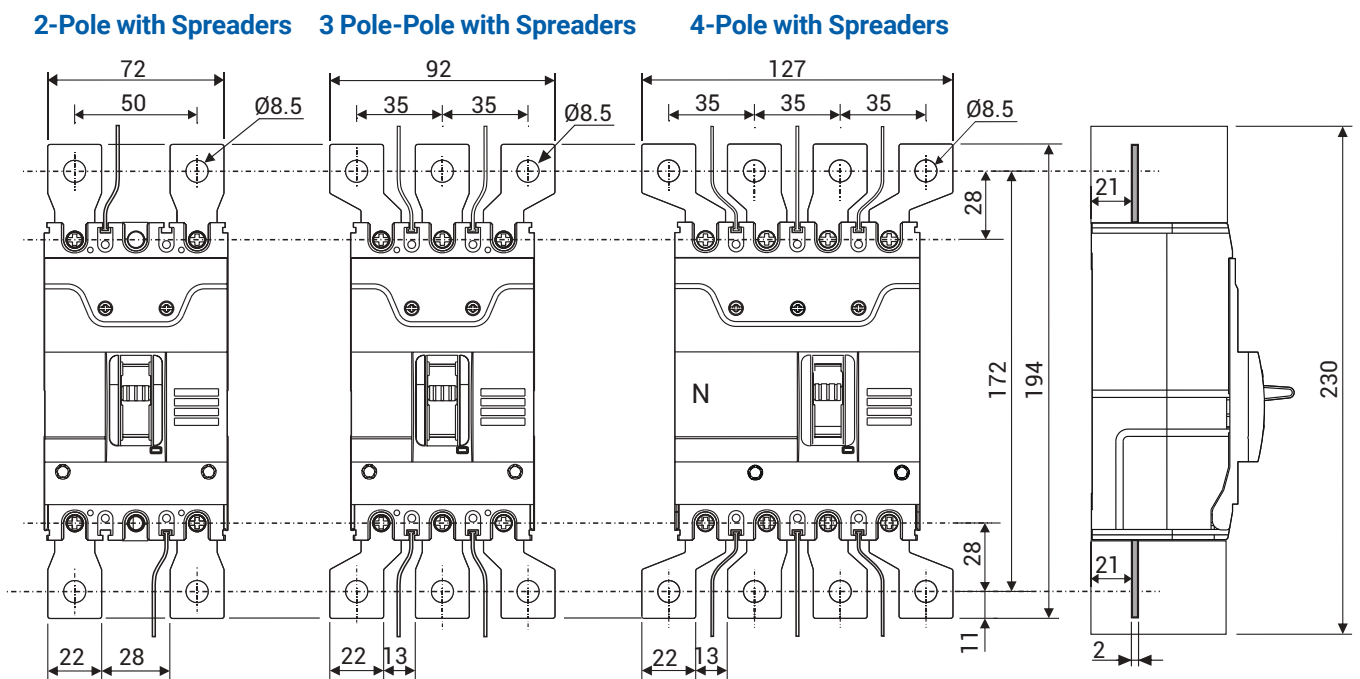
Note: •All Curves are I_n (rated current) based till overload zone.

MCCB Dimensions

DY125U



DY125U with Spreaders

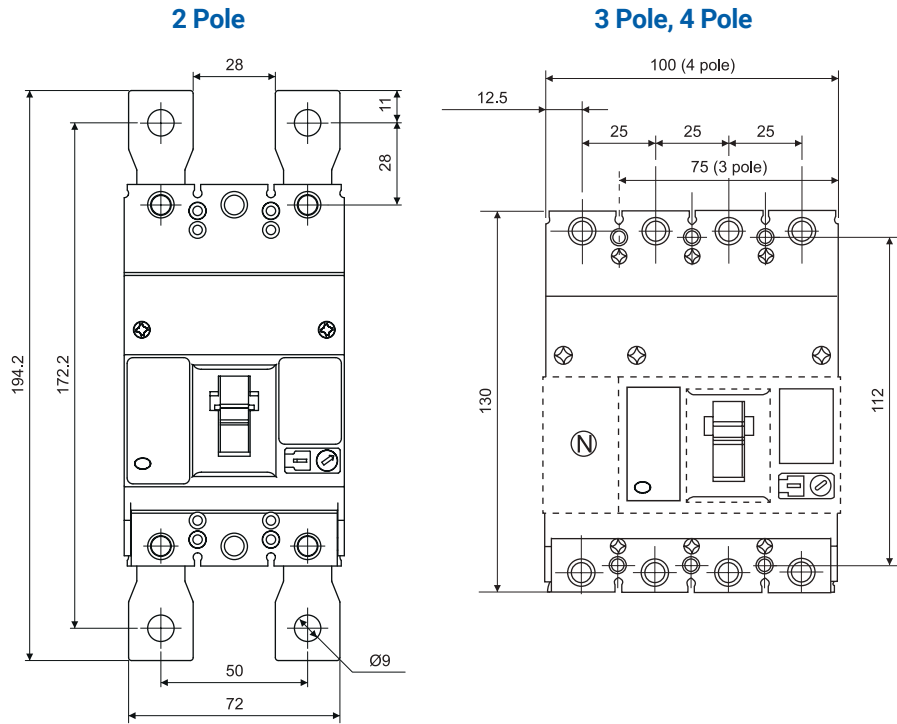


Link width (without spreader) : □ 17mm
 Link width (with spreader) : 25mm

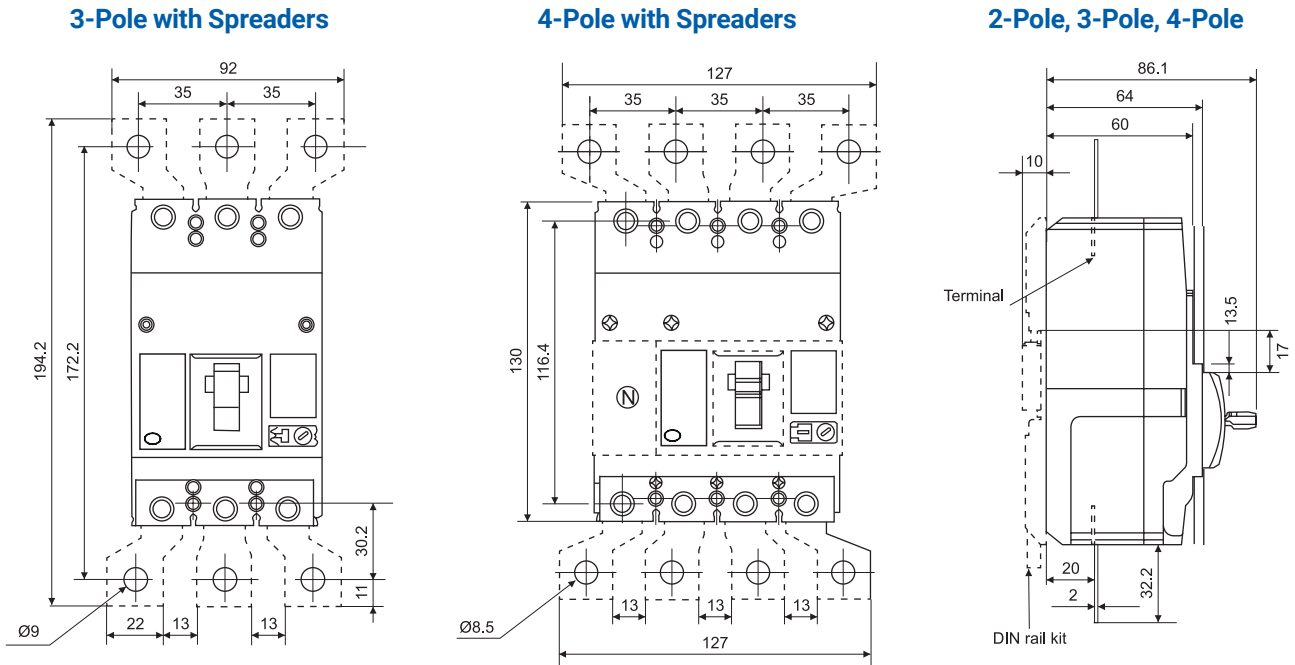
Note: Spreader links are available as spare.
 It is recommended to use spreader links for enhancing termination capacity.
 Please use 125A MCCB with its recommended Spreader only.

All dimensions are in mm

DU100D / DU125D / DU100H / DU125H



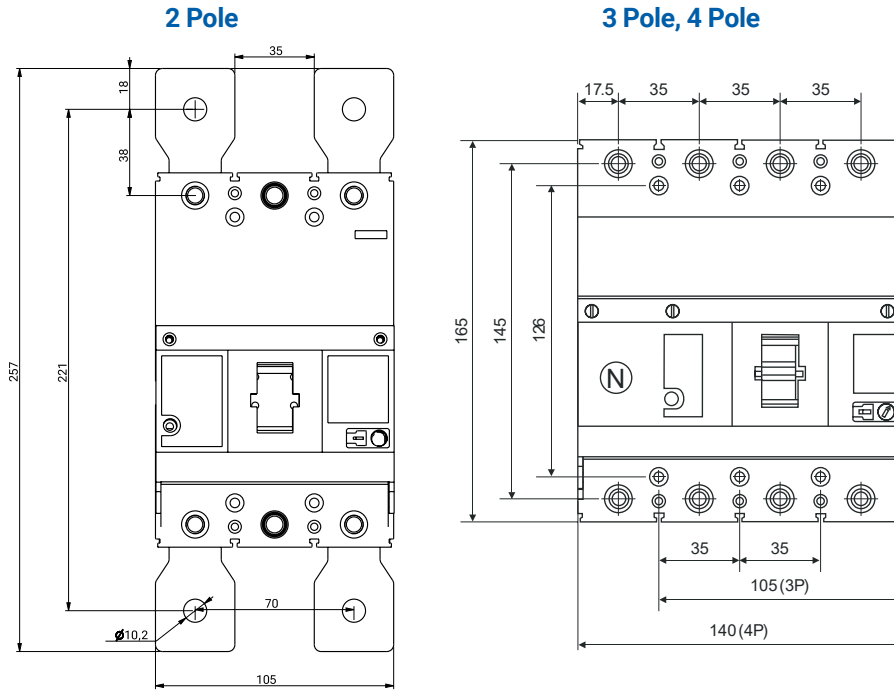
DU100D / DU125D / DU100H / DU125H with Spreaders



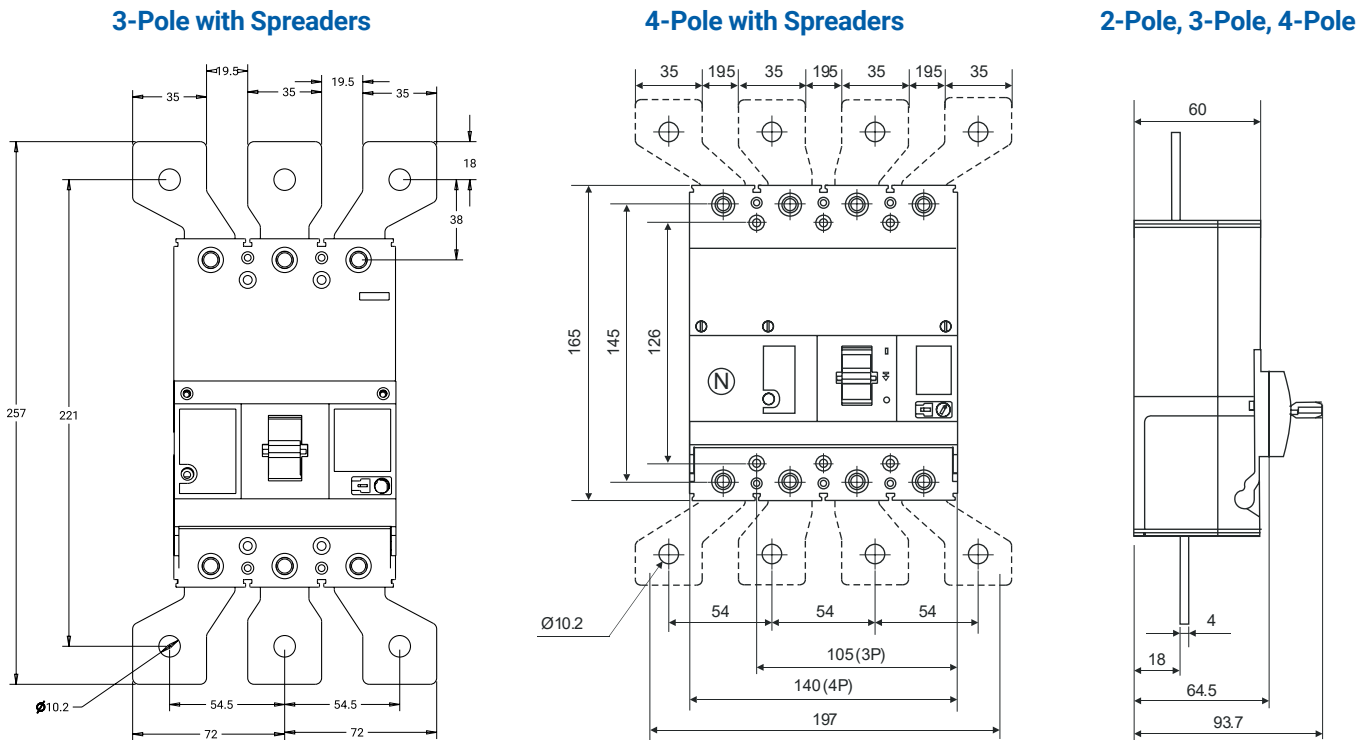
Link width (without spreader) : □ 17mm
 Link width (with spreader) : 25mm

Note: Spreader links are available as spare.
 It is recommended to use spreader links for enhancing termination capacity.
 Please use 125A MCCB with its recommended Spreader only.

DY250U1 / DU250C / DU250



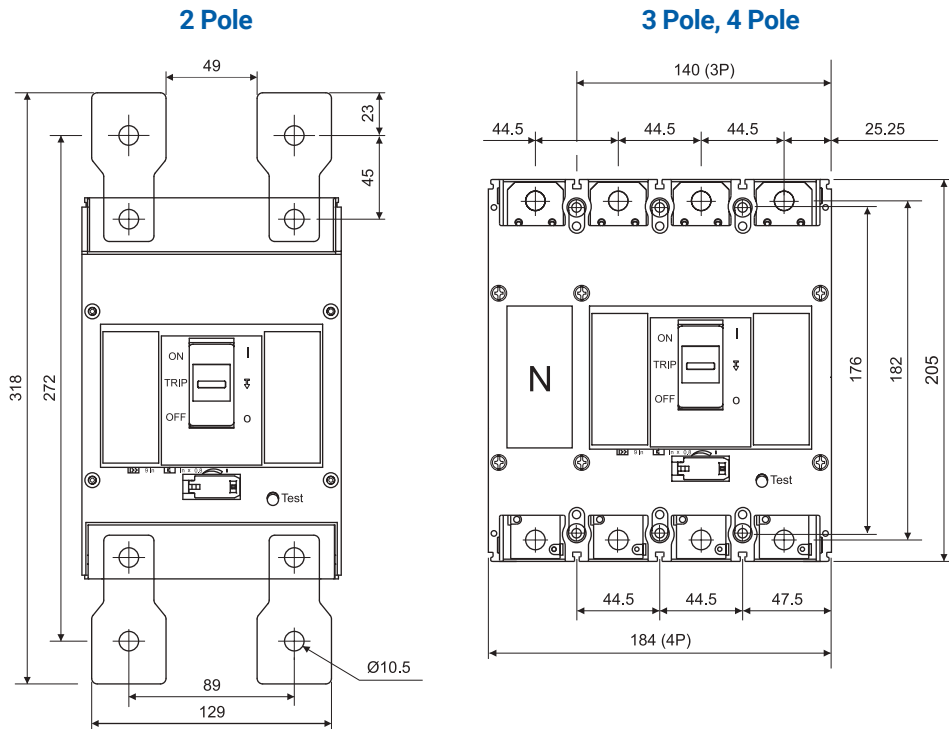
DY250U1 / DU250C / DU250 with Spreaders



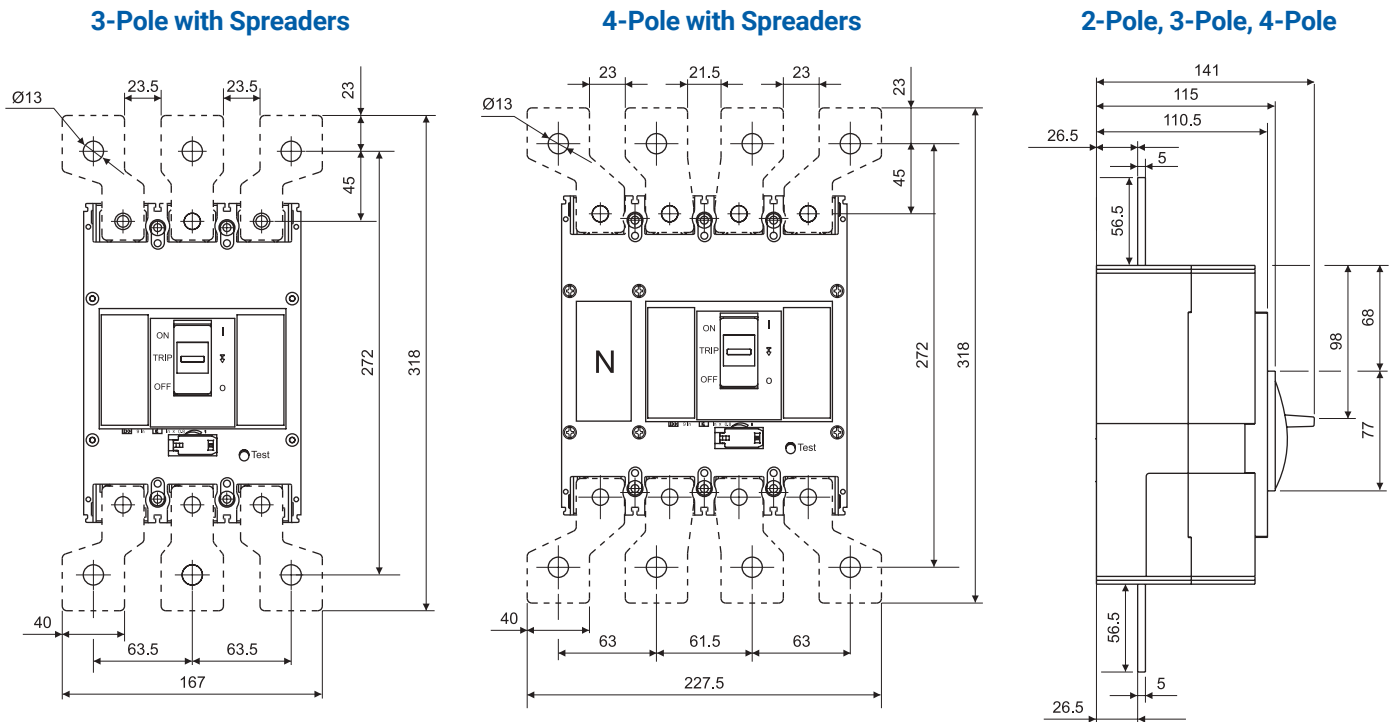
Link width (without spreader) : □ 17mm
 Link width (with spreader) : 25mm

Note: Spreader links are available as spare. It is recommended to use spreader links for enhancing termination capacity.

DU400N



DU400N with Spreaders



Link width (without spreader) : □ 32mm
 Link width (with spreader) : 40mm

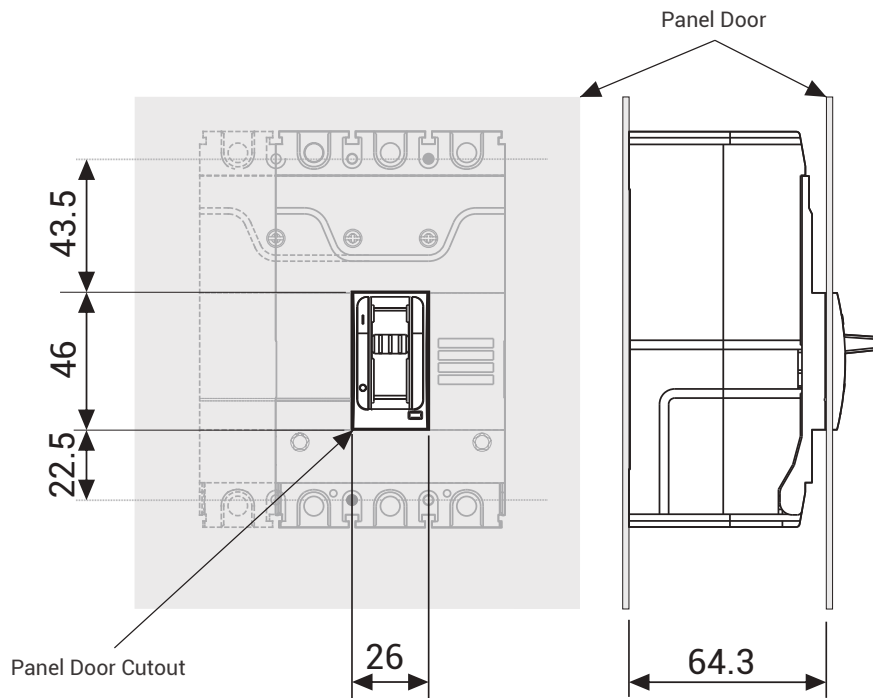
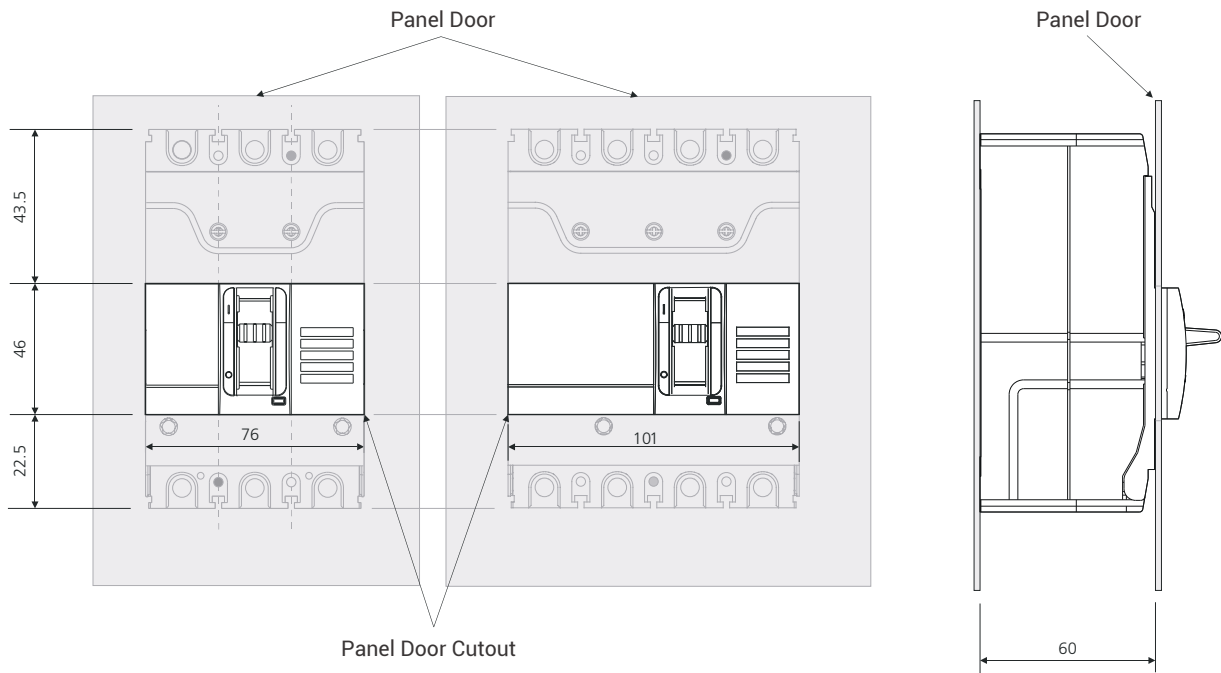
Note: Spreaders are available as spare. It is recommended to use spreader links for enhancing termination capacity.

All dimensions are in mm

Lauritz Knudsen

Panel Cut-Out Dimensions

DY125U

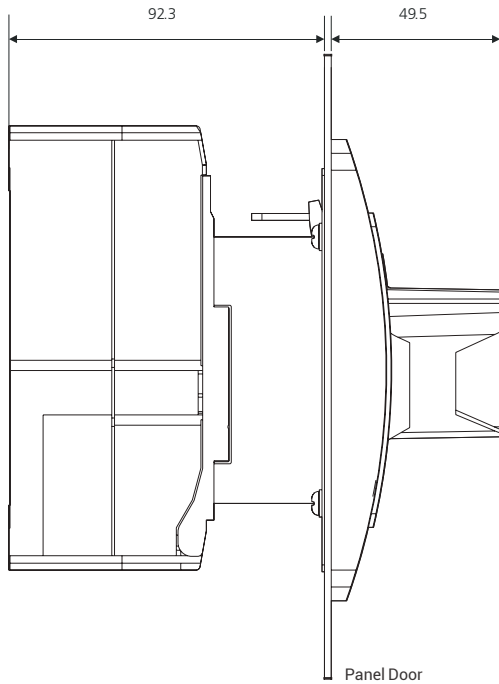


All dimensions are in mm

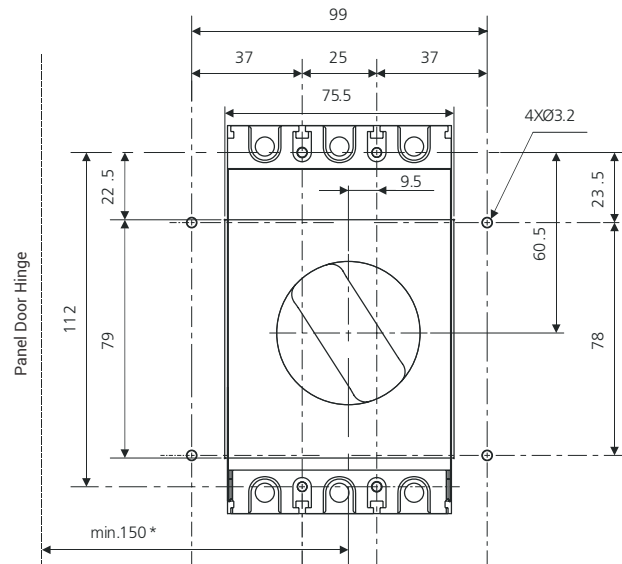
Lauritz Knudsen

Accessories Dimensions

Direct ROM (DY125U)

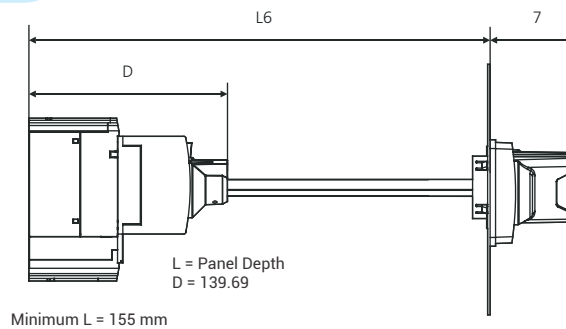


Panel Door Cut-out Dimensions

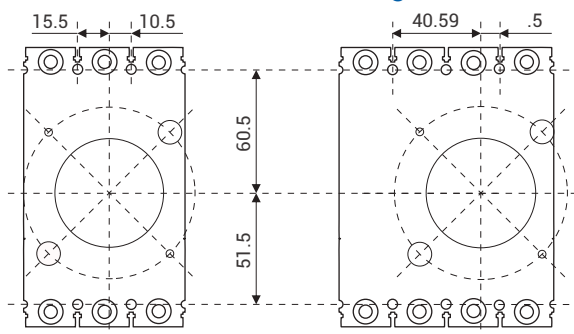


*Minimum hinge radius for Horizontal / Vertical MCCB installation

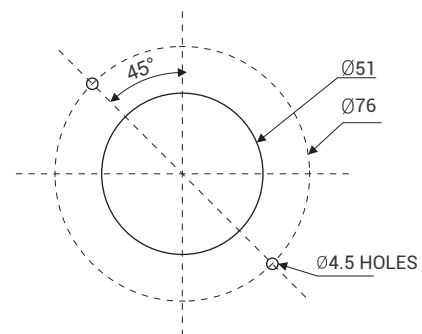
Extended ROM (DY125U)



Vertical & Horizontal References with Regards to MCCB Mounting



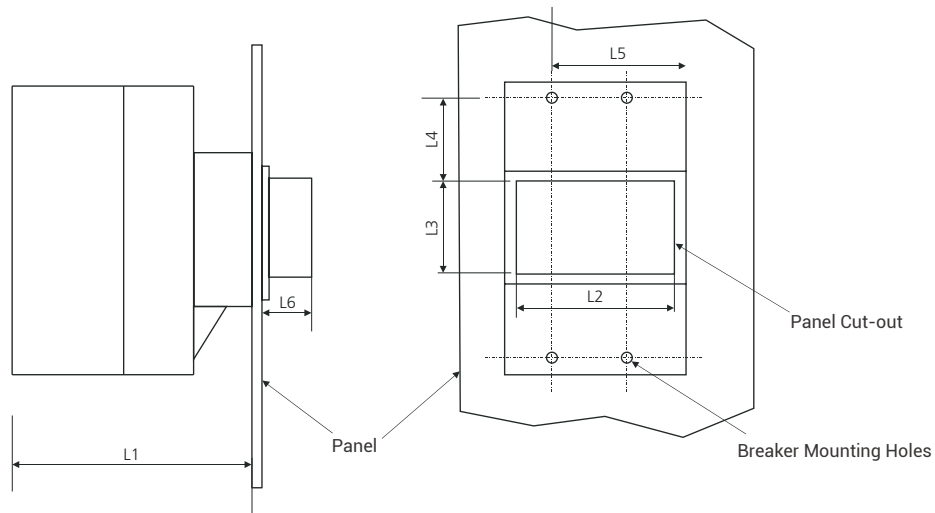
Panel Cut Details as Viewed From the Front



All dimensions are in mm

Direct ROM

(For DU100D / DU125D / DU100H / DU125H / DY250U1 / DU250C / DU250 / DU400N)

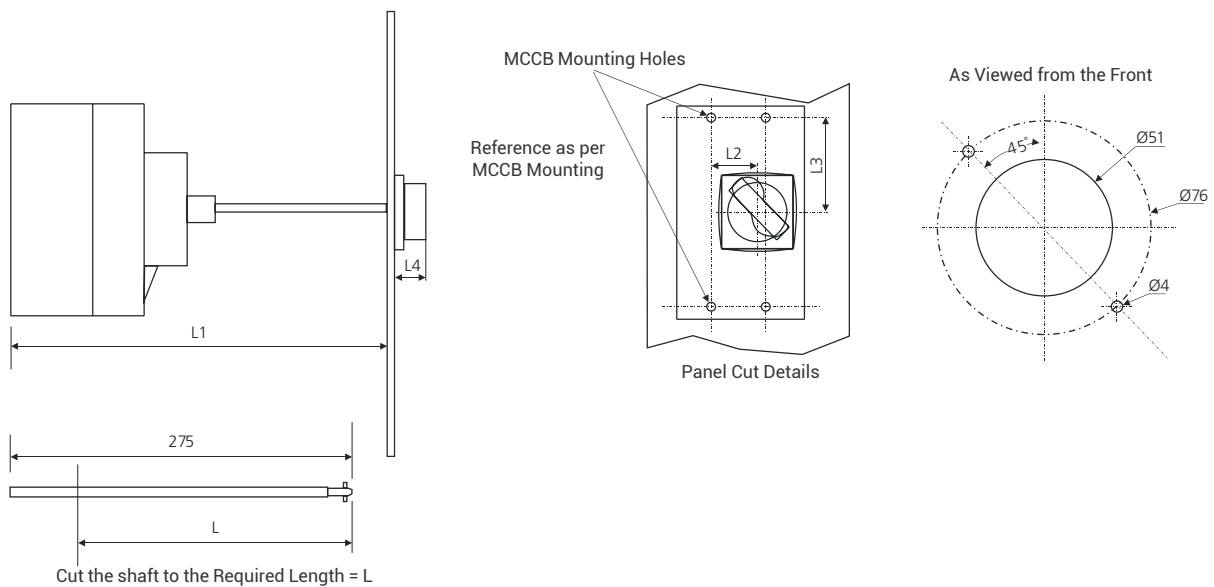


Type	L1	L2	L3	L4	L5	L6
DU100D/DU125D/DU100H/DU125H	96.5	58	52	43.5	37	85
DY250U1/DU250C/DU250	96.5	73	52	56.5	54	77
DU400N	145	121	87	41	82	95

L1 = Mounting Depth
 L2/L3 = Panel Cut-out
 L4/L5 = Breaker Mounting Reference
 L6 = Depth outside the panel

Extended ROM

(For DU100D / DU125D / DU100H / DU125H / DY250U1 / DU250C / DU250 / DU400N)

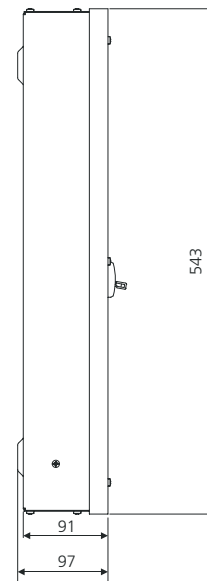
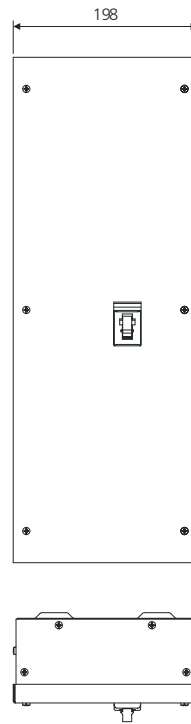
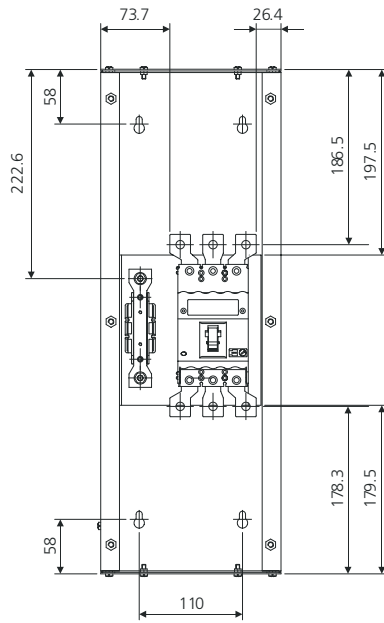


Cut the shaft to the Required Length = L

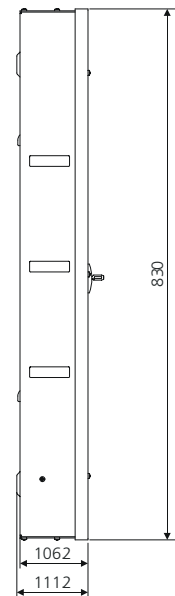
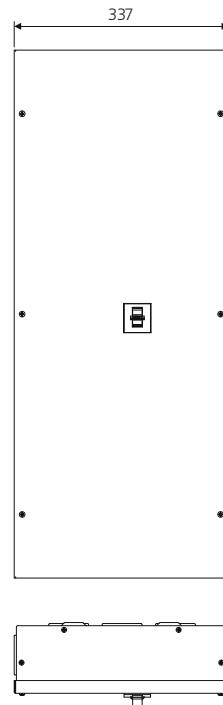
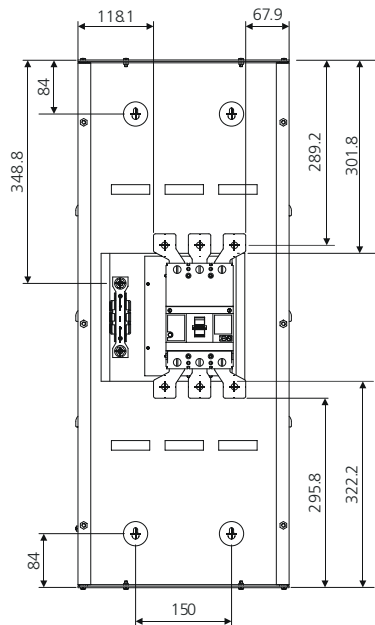
Type	L1	L	L2	L3
DU100D/DU125D/DU100H/DU125H	169	L1-119	7.5	69.5
DY250U1/DU250C/DU250	169	L1-119	24.5	81.7
DU400N	233	L1-183	39	93

L = Length of Shaft required for Panel Depth L1 (mm)
 L1 = Min. Panel depth (mm)
 L4 = Depth outside the panel

Size I Enclosure (For DU100D / DU125D / DU100H / DU125H / DY125U)

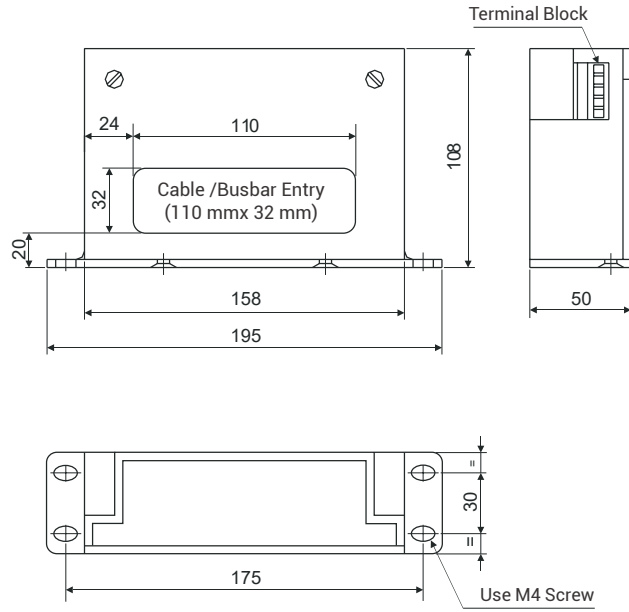


Size II Enclosure (For DY250U1 / DU250C / DU250)

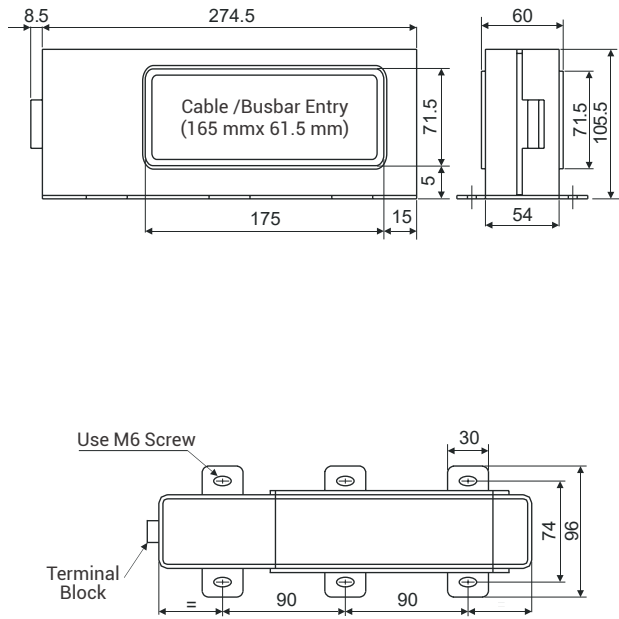


All dimensions are in mm

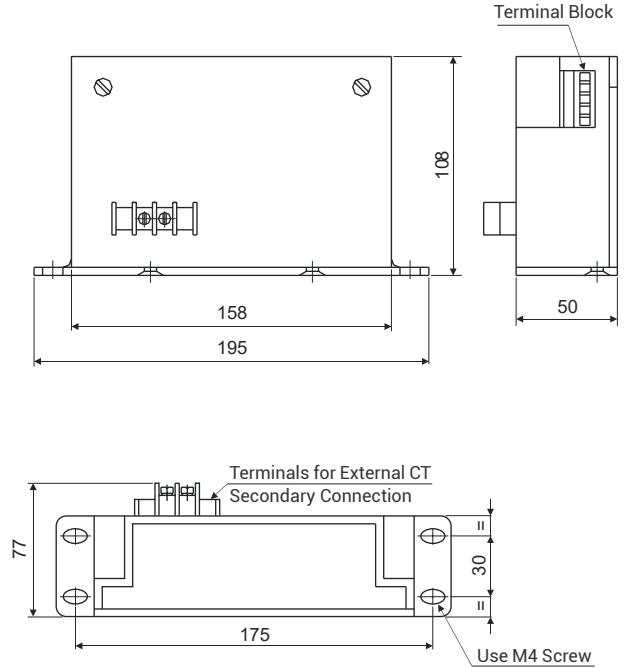
Ground Fault Module 1 (GF1)



Ground Fault Module 2 (GF2)



Ground Fault Module 11 (GF11)



Switchgear Training Centres



Pune

Lauritz Knudsen Electrical & Automation
Switchgear Training Centre
T-156 / 157, MIDC,
Bhosari, Pune - 411 026
Tel: 020-2712 0037 / 2712 0653
E-mail: STC-PUNE@LK-EA.com



Lucknow

Lauritz Knudsen Electrical & Automation
Switchgear Training Centre
C-6 & 7, UPSIDC,
P. O. Sarojininagar,
Lucknow - 226 008
Tel: 97944 54455
E-mail: STC-LUCKNOW@LK-EA.com



Delhi

Lauritz Knudsen Electrical & Automation
Switchgear Training Centre
A-25, Imperia Complex, First Floor
Mohan Cooperative Industrial Estate
Near Sarita Vihar / Mohan Estate Metro Station
Main Mathura Road, New Delhi - 110044
Tel: 9899020306 / 9720186726 / 9560845094
E-mail: STC-DELHI@LK-EA.com



Kolkata

Lauritz Knudsen Electrical & Automation
Switchgear Training Centre,
2nd Floor, Block BN3, Sector V,
Salt Lake City,
Kolkata - 700091, West Bengal
Tel: 7738717893 / 7797795567
E-mail: STC-KOLKATA@LK-EA.com



Vadodara

Lauritz Knudsen Electrical & Automation
Switchgear Training Centre
Behind L&T Knowledge City,
Near Village Ankhol,
Vadodara - 390019
Tel: 0265 6147805 / 6147808
E-mail: STC-VADODARA@LK-EA.com



Coonor

Lauritz Knudsen Electrical & Automation
Switchgear Training Centre
Ooty-Coonor Main Road
Yellanahalli P.O.,
The Nilgiris - 643 243
Tel: 0423 251 7107
E-mail: STC-COONOOR@LK-EA.com

Customer Interaction Center (CIC)
Phone no: 022 6932 7800
Web: www.LK-EA.com | e-mail: CIC@LK-EA.com



Electrical Standard Products (ESP) Offices

HEAD OFFICE

Lauritz Knudsen Electrical & Automation, A/600, Shil-Mahape Road, TTC Industrial Area, MIDC Thane, Navi Mumbai, 400 710, Maharashtra.

Tel: 022-6722 6300 | Fax: 022-6705 1112 | e-mail: CIC@LK-EA.com

BRANCH OFFICES

Lauritz Knudsen Electrical & Automation
C-201, The First Commercial Complex,
B/S Keshavbaug Party Plot, Vastrapur,
Ahmedabad - 380 015
Phone No: 022-6932 7800
e-mail: CIC@LK-EA.com

Lauritz Knudsen Electrical & Automation
Shri Daneshwari, 1st Floor,
Plot No. 17, 2nd Cross, Near Old Income
Tax Office Road, Vidyanagar,
Hubballi - 580 021
Phone No: 022-6932 7800
e-mail: CIC@LK-EA.com

Lauritz Knudsen Electrical & Automation
No.10, Fortuna Towers, 2nd Floor,
Rana Pratap Marg, Near NBRI,
Lucknow - 226 001
Phone No: 022-6932 7800
e-mail: CIC@LK-EA.com

Lauritz Knudsen Electrical & Automation
A06/A07, Second Floor,
Grand Chandra Complex, Frazer Road
Patna - 800 001
Phone No: 022-6932 7800
e-mail: CIC@LK-EA.com

Lauritz Knudsen Electrical & Automation
Wework Central, #36 Infantry Road,
Bengaluru - 560 001
Phone No: 022-6932 7800
e-mail: CIC@LK-EA.com

Lauritz Knudsen Electrical & Automation
AWFIS Space Solutions, Prestige Phoenix,
4th floor, 1405, Umanagar, Begumpet,
Hyderabad - 500 016
Phone No: 022-6932 7800
e-mail: CIC@LK-EA.com

Lauritz Knudsen Electrical & Automation
El Dorado Building, 3rd Floor, 6,
Venkatraman Street, Chinna Chokkikulam,
Madurai - 625 002
Phone No: 022-6932 7800
e-mail: CIC@LK-EA.com

Lauritz Knudsen Electrical & Automation
UrbanWrk, 5th Floor, Sai Radhe,
Raja Bahadur Mill Road, Behind Hotel
Grand Sheraton, Sangamwadi
Pune - 411 001
Phone No: 022-6932 7800
e-mail: CIC@LK-EA.com

Lauritz Knudsen Electrical & Automation
Under O Launchpad, 4th Floor,
Unit-434, Esplanade 1, Rasulgarh,
Bhubaneswar - 751 010
Phone No: 022-6932 7800
e-mail: CIC@LK-EA.com

Lauritz Knudsen Electrical & Automation
Workie, 214 - 2nd Floor,
Apollo Premier, PU-4,
Scheme No. 54, Vijay Nagar Square,
Indore - 452 010
Phone No: 022-6932 7800
e-mail: CIC@LK-EA.com

Lauritz Knudsen Electrical & Automation
Bestech Business Park,
Tower - A, 2nd floor, Sector - 66
Mohali - 160059
Phone No: 022-6932 7800
e-mail: CIC@LK-EA.com

Lauritz Knudsen Electrical & Automation
Office No. 211 & 212, Pithalia Plaza,
KK Road, Near Fafadih Chowk,
Raipur - 492 001
Phone No: 022-6932 7800
e-mail: CIC@LK-EA.com

Lauritz Knudsen Electrical & Automation,
801 Word Level-8, No. 28,
SIDCO Industrial Estate, Guindy,
Chennai - 600 032
Phone No: 022-6932 7800
e-mail: CIC@LK-EA.com

Lauritz Knudsen Electrical & Automation
Office No. 430, 4th Floor,
Jaipur Electronic Market, Riddhi Siddhi,
Gopalpura Bypass,
Jaipur - 302 018
Phone No: 022-6932 7800
e-mail: CIC@LK-EA.com

Lauritz Knudsen Electrical & Automation
TC II, Tower B, PRIMA BAY Gate No. 5,
Saki Vihar Road Powai,
Mumbai - 400 072
Phone No: 022-6932 7800
e-mail: CIC@LK-EA.com

Lauritz Knudsen Electrical & Automation,
DevX 4th Floor, A Wing, Om 9 Square,
150 Ft Ring Road, Near Nana Mava Circle,
Opp Silver Heights,
Rajkot - 360 001
Phone No: 022-6932 7800
e-mail: CIC@LK-EA.com

Lauritz Knudsen Electrical & Automation
Playworkz Coworking Space
43 & 44, 3rd Cross,
Bharathy Colony, Peelamedu,
Coimbatore - 641 004
Phone No: 022-6932 7800
e-mail: CIC@LK-EA.com

Lauritz Knudsen Electrical & Automation
GDR Siddha, Ground Floor, N Road
Bistupur, Opposite St. Mary's Church,
Jamshedpur - 831 001
Phone No: 022-6932 7800
e-mail: CIC@LK-EA.com

Lauritz Knudsen Electrical & Automation
Unnati Building, 2nd Floor,
Automation Campus, A-600, TTC Industrial
Area Shil-Mahape Road, Mahape,
Navi Mumbai - 400 710
Phone No: 022-6932 7800
e-mail: CIC@LK-EA.com

Lauritz Knudsen Electrical & Automation
10th Floor, Titaanium Business,
Bhimrad Road, Althan
Surat - 395 017
Phone No: 022-6932 7800
e-mail: CIC@LK-EA.com

Lauritz Knudsen Electrical & Automation
3rd Floor, 1&2 Vijay Park,
Main Chakrata Road, Opp. Anandam,
Near Ballapur chowk,
Dehradun - 248 001
Phone No: 022-6932 7800
e-mail: CIC@LK-EA.com

Lauritz Knudsen Electrical & Automation
Business Communication Centre
2nd Floor, Chiramel Chambers,
Kurusipally Road, Ravipuram,
Kochi - 682 015
Phone No: 022-6932 7800
e-mail: CIC@LK-EA.com

Lauritz Knudsen Electrical & Automation
M1 & M2, Mezzanine Floor,
Himalaya Excellency,
Plot No. C-47, Pratap Nagar Square,
Nagpur - 440 022
Phone No: 022-6932 7800
e-mail: CIC@LK-EA.com

Lauritz Knudsen Electrical & Automation
11th Floor, Block-D, Notus IT Park,
Sarabhai Campus, Bhailal Amin Marg,
Vadodara - 390 023
Phone No: 022-6932 7800
e-mail: CIC@LK-EA.com

Lauritz Knudsen Electrical & Automation
Ground Floor, B-27,
Biplab Rashbihari Sarani,
Sector 2A, Bidhan Nagar,
Durgapur - 713 212
Phone No: 022-6932 7800
e-mail: CIC@LK-EA.com

Lauritz Knudsen Electrical & Automation,
207, 2nd floor, Revolution Complex,
Station Road, E Ward,
Next to Pedestrian Bridge,
Kolhapur - 416 001
Phone No: 022-6932 7800
e-mail: CIC@LK-EA.com

Lauritz Knudsen Electrical & Automation,
3rd floor,
Uttam Tower by Viraj Estate ,
Sharanpur Road,
Nasik - 422 002
Phone No: 022-6932 7800
e-mail: CIC@LK-EA.com

Lauritz Knudsen Electrical & Automation
Naga Chambers, 3rd Floor, D/No. 12-1-16,
Plot No. 49, Survey No. 1051, Waltair Main Road,
Visakhapatnam - 530 002
Phone No: 022-6932 7800
e-mail: CIC@LK-EA.com

Lauritz Knudsen Electrical & Automation
6th Floor, Exotica Greens, A Block, 191,
R G Baruah Road, Guwahati Central,
Guwahati - 781 005
Phone No: 022-6932 7800
e-mail: CIC@LK-EA.com

Lauritz Knudsen Electrical & Automation
2nd Floor, BN3, Salt Lake, Sector-V,
Kolkata - 700 091
Phone No: 022-6932 7800
e-mail: CIC@LK-EA.com

Lauritz Knudsen Electrical & Automation
A-25, 1st Floor, Imperia Complex,
Mohan Corporative Industrial Estate,
Near Sarita Vihar Metro Station,
Mathura Road,
New Delhi - 110 044
Phone no: 022-6932 7800
e-mail: CIC@LK-EA.com

Product improvement is a continuous process. For the latest information and special application, please contact any of our offices listed here. Product photographs shown for representative purpose only.



Lauritz Knudsen Electrical & Automation, Electrical Standard Product

A/600, Shil-Mahape Road, TTC Industrial Area, MIDC Thane, Navi Mumbai, 400 710, Maharashtra, Phone No: 022-6722 6300 | Web: www.LK-EA.com

Customer Interaction Center (CIC)

Phone no: 022-6932 7800

Web: www.LK-EA.com | e-mail: CIC@LK-EA.com